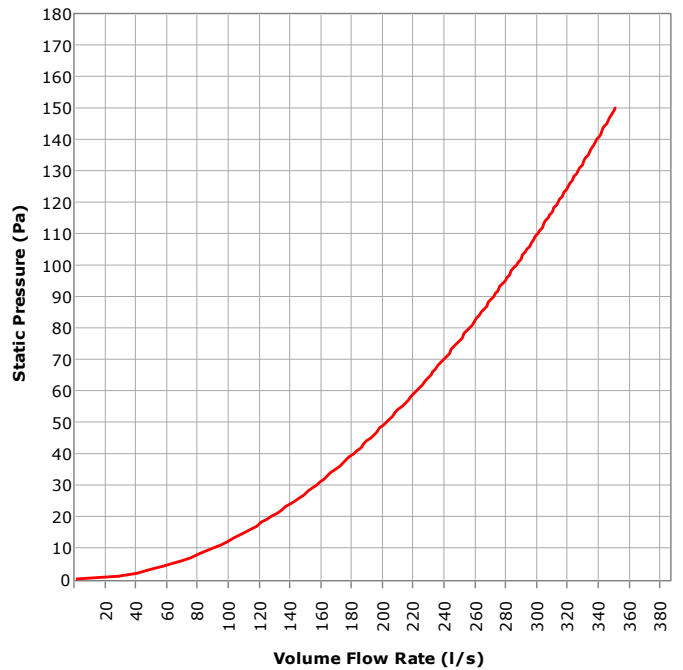




Performance Data	Specified	Actual
Design Airflow (l/s)		
Design Pressure (Pa)		
Air Density (kg/m <sup>3</sup> )	1.204	
Temperature (C°)	20	
Altitude (m)	0	
Humidity (%)	0.0	

Fan Data	
Part Number	MAD200
Description	Roof Cowl Round Down Discharge

Fan Diameter (mm)	200
Impeller Type	N/A
Impeller Material	
Weight (Kg)	2.0
Fan Speed (RPM)	0
Absorbed Power (kW)	0
Peak Power (kW)	0.00
Total Efficiency (%)	0.0
Static Efficiency (%)	0.0
Frequency (Hz)	0



### Motor Data

Motor Power (kW)	0.00
Motor Pole	
Voltage (V)	
Phase	
Full Load Current (A)	
Starting Current (A)	
Class	
Frame Size (mm)	

### Sound Data

A weighted sound pressure value is spherical free field for comparison use only.

#### Sound Power Spectrum (dB)

The sound power level ratings are shown in decibels & referred to in 10<sup>-12</sup> watts.

Spectrum (Hz)	63	125	250	500	1k	2k	4k	8k	Total SPL@m dB(A)

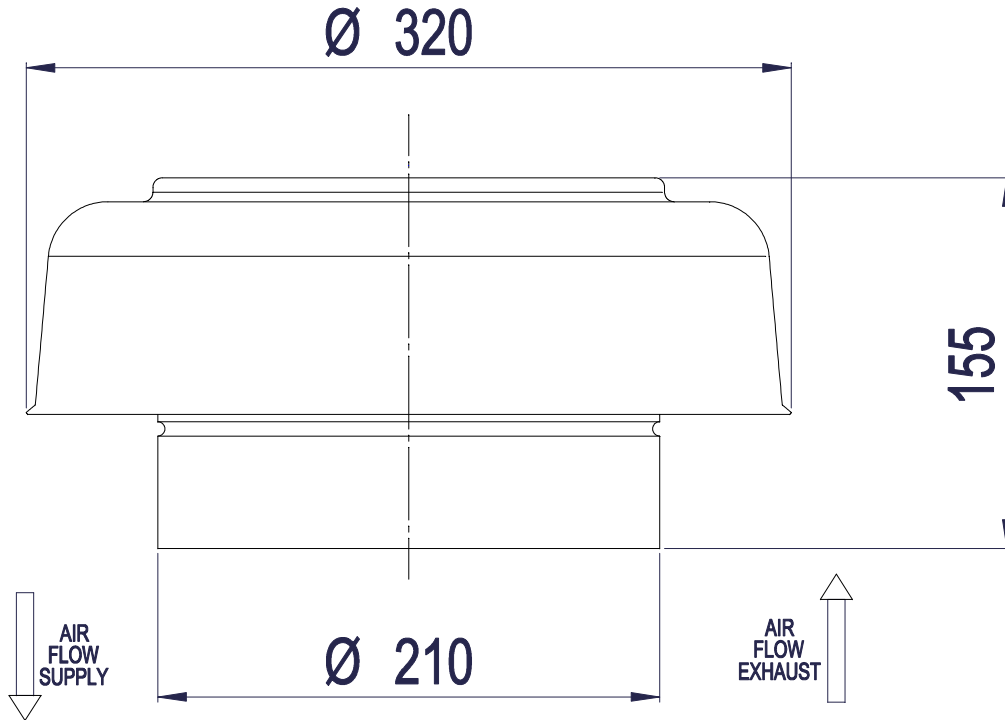


# MAD200

Roof Cowl Round Down Discharge

---

## Dimensions



---

## Wiring

---