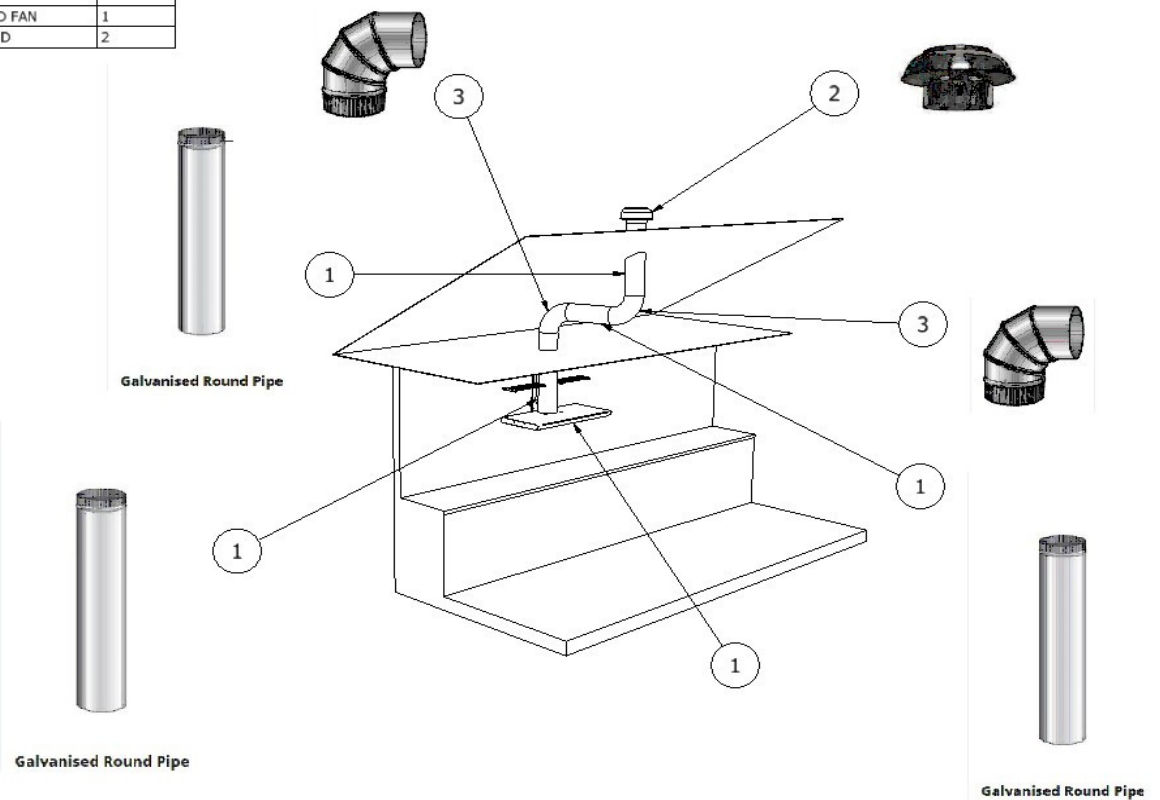


Sharp Edge Engineering Limited

INSTALLATION OPTIONS (Ducting accessories available from sales@sharpedge.co.nz)

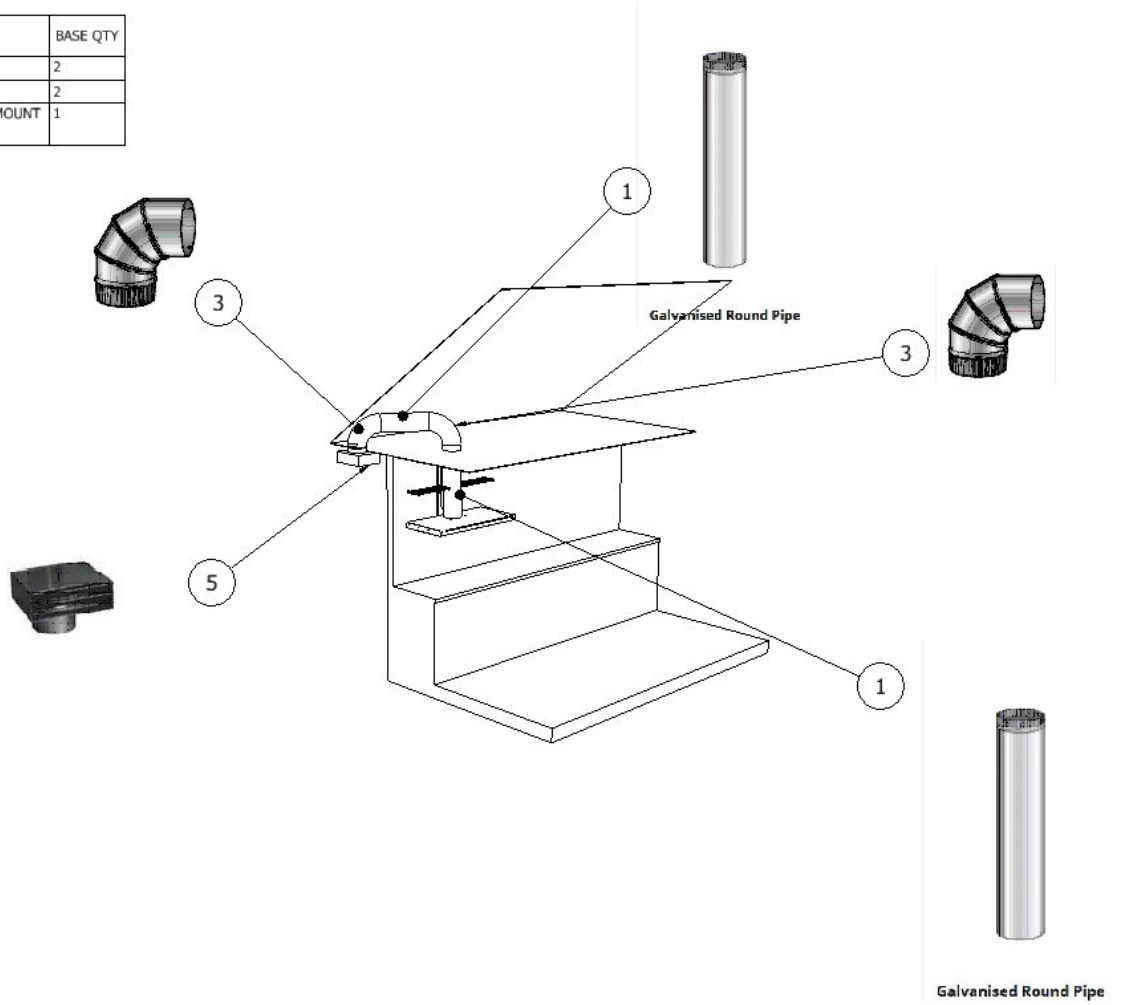
Roof Mounted

| ITEM | PART NUMBER | BASE QTY |
|------|--------------------------|----------|
| 1 | 200DIA GALV PIPE | 3 |
| 2 | MAD-200 ROOF MOUNTED FAN | 1 |
| 3 | 200DIA ADJUSTABLE BEND | 2 |



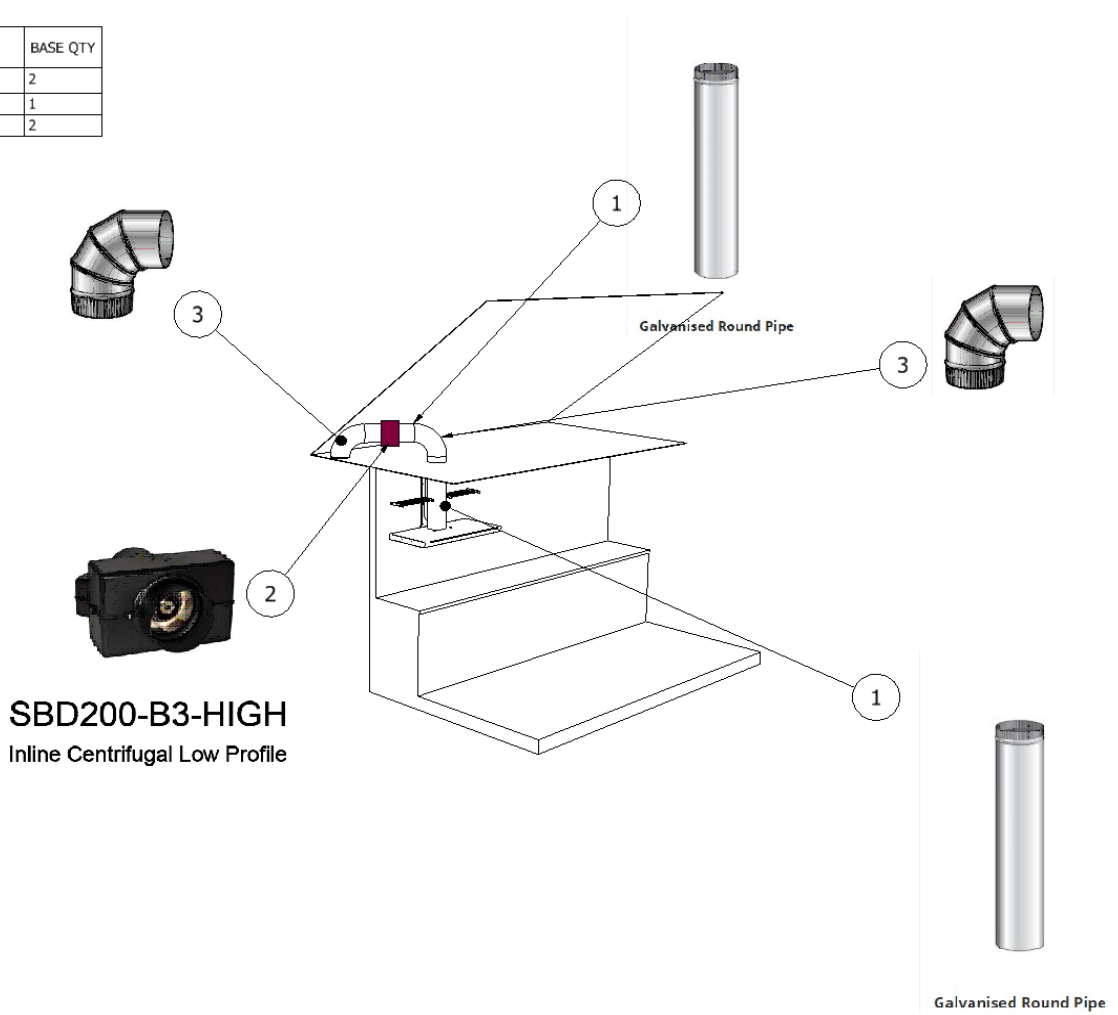
Sofit / Wall Mounted

| ITEM | PART NUMBER | BASE QTY |
|------|--|----------|
| 1 | 200DIA GALV PIPE | 2 |
| 3 | 200DIA ADJUSTABLE BEND | 2 |
| 5 | MOB-200-2EM-EV SOFIT/WALL MOUNT FAN FAN | 1 |



Inline Mounted

| ITEM | PART NUMBER | BASE QTY |
|------|---------------------------|----------|
| 1 | 200DIA GALV PIPE | 2 |
| 2 | SBD200-B3-HIGH INLINE FAN | 1 |
| 3 | 200DIA ADJUSTABLE BEND | 2 |



SBD200-B3-HIGH
 Inline Centrifugal Low Profile

Galvanised Round Pipe