

SBD200-B3-HIGH

Inline Centrifugal Low Profile



Performance Data

	Specified	Actual
Design Airflow (l/s)		
Design Pressure (Pa)		
Air Density (kg/m ³)	1.204	
Temperature (C°)	20	
Altitude (m)	0	
Humidity (%)	0.0	

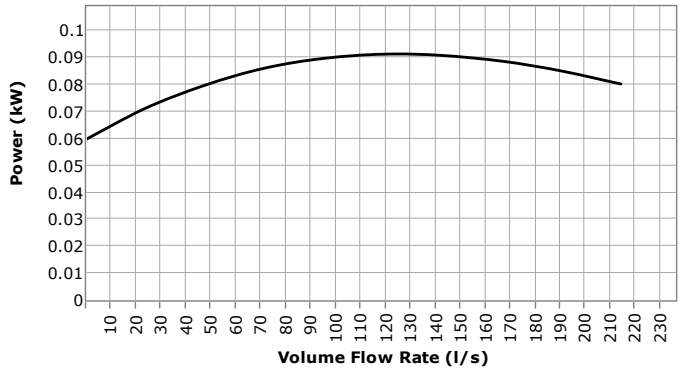
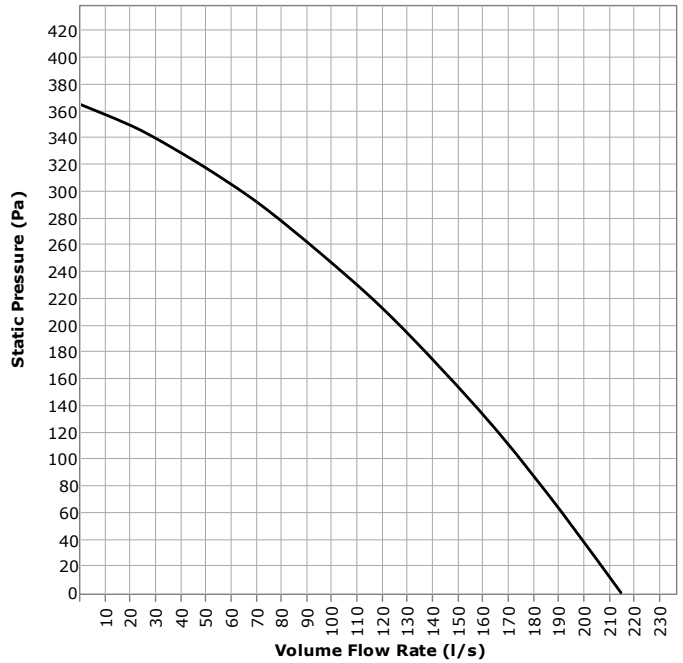
Fan Data

Part Number	SBD200-B3-HIGH
Description	SBD - Low Profile Inline Centrifugal

Fan Diameter (mm)	200
Impeller Type	Centrifugal
Impeller Material	
Weight (Kg)	4.0
Fan Speed (RPM)	2605
Absorbed Power (kW)	0
Peak Power (kW)	0.09
Total Efficiency (%)	0.0
Static Efficiency (%)	0.0
Frequency (Hz)	50

Motor Data

Motor Power (kW)	0.09
Motor Pole	2
Voltage (V)	240
Phase	1
Full Load Current (A)	0.41
Starting Current (A)	1.23
Class	Standard no Ancils
Frame Size (mm)	



Sound Data

Sound power levels are quoted as in-duct values. A weighted sound pressure value is spherical free field for comparison use only.

Sound Power Spectrum (dB)

The sound power level ratings are shown in decibels & referred to in 10⁻¹² watts.

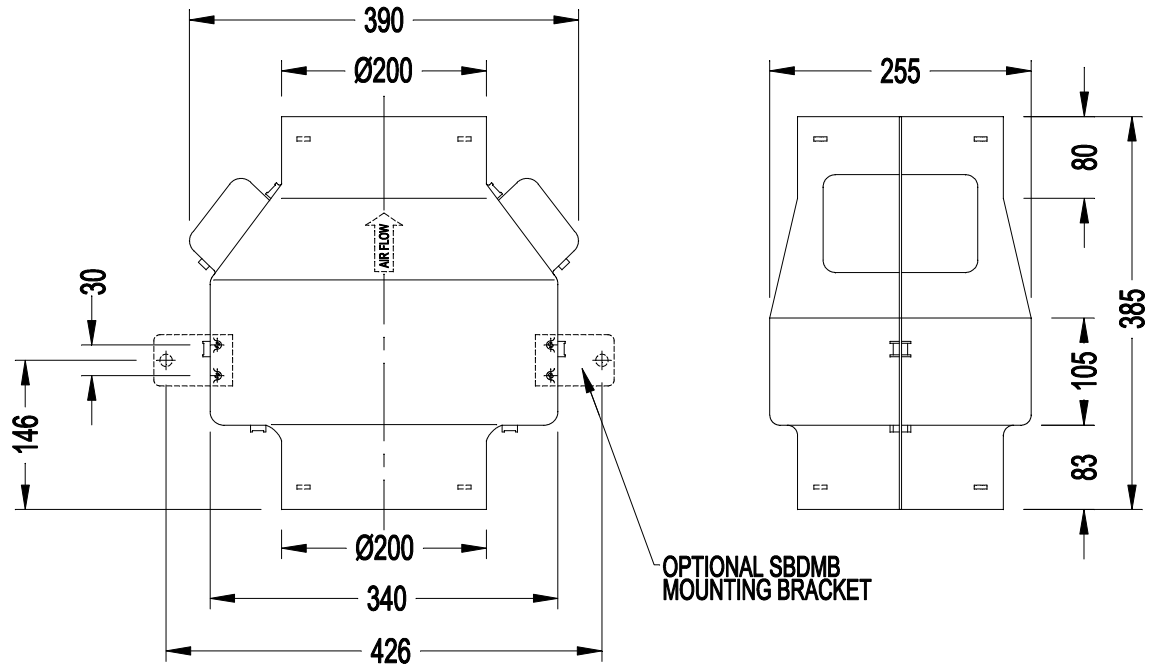
Spectrum (Hz)	63	125	250	500	1k	2k	4k	8k	Total SPL@3m dB(A)
LW Inlet (dB)	69	63	60	63	65	63	59	55	48

SBD200-B3-HIGH

Inline Centrifugal Low Profile



Dimensions



Wiring

3PP
This fan is prewired with a
standard 3-Pin plug